

# DV10X7B-SA2L

Home | Security | Lenses | Varifocal

DV10X7B-SA2L

F1.8/7-70mm DC Lens, Varifocal, 1/2", CS Mount,

long Cable

**Art-Nr. 45252**



## Main Features

Suitable for 1/2" and 1/3" colour and b&w cameras

CS Mount

Variable focal length

High standard of optical and mechanical quality

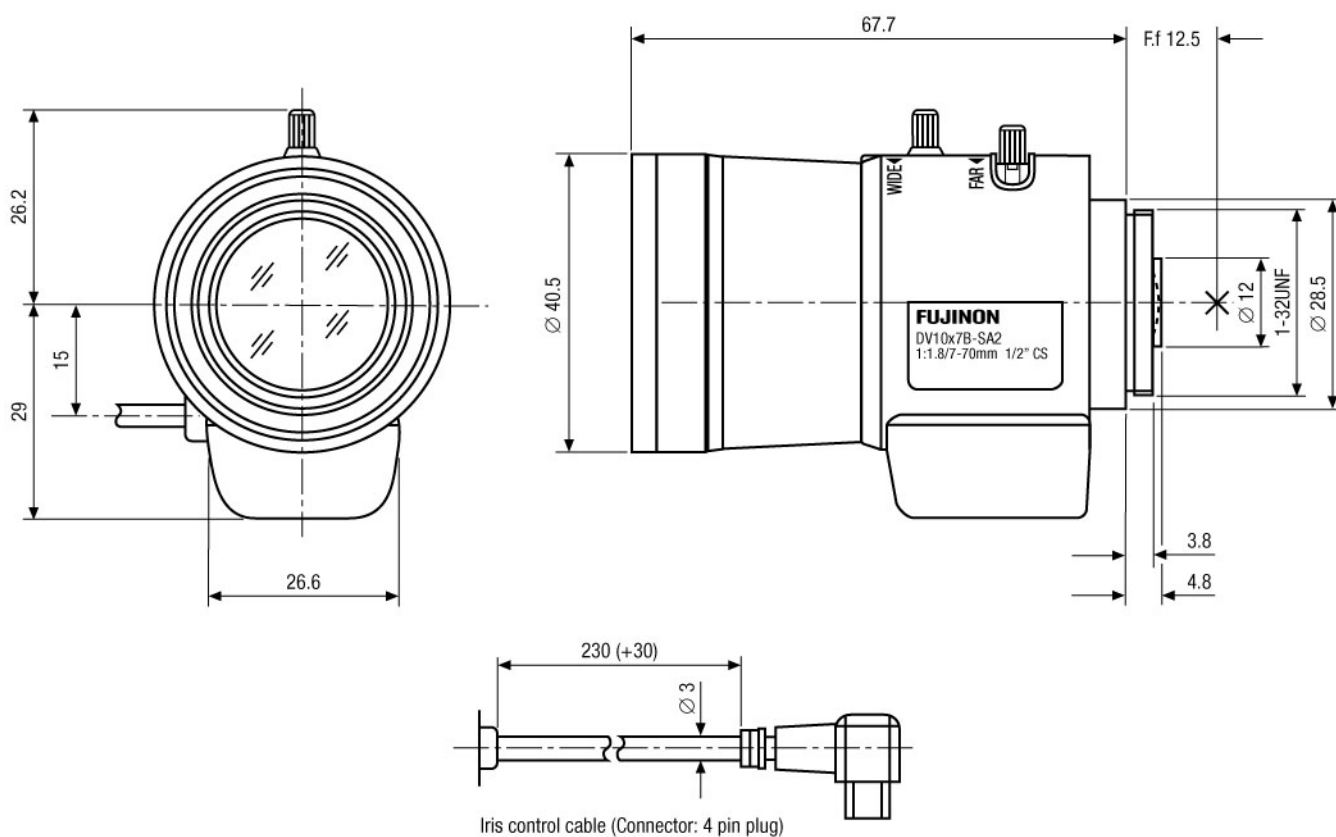
Without built-in auto iris amplifier

Adjustable slip-ring mount for cable positioning

# DV10X7B-SA2L

Home | Security | Lenses | Varifocal

## Technical drawing



Maße/Dimensions: mm

SLD Security & Communications  
The Old Forge, Ockham Lane, Ockham, Surrey GU236PH England  
Phone +44.1483225633 · Fax +44.1483225634  
sales@sld.co.uk · www.sld.co.uk

