

# VKCD-1332SM/3.8

Home | Security | Dome Cameras | Fixed

VKCD-1332SM/3.8  
1/3" Dome, Fixed, Day&Night, 3,8mm Lens, 600TVL,

12VDC

Art-Nr. 92571



## Main Features

1/3" Sony Super HAD II CCD	Manual 3-axis camera gimbal
Sensitivity of 0.22Lux at F1.2 (colour & b/w)	Integrated fix lens: F2.0/3.8mm
Automatic gain control (AGC)	Supply voltage: 12VDC
Backlight compensation (BLC)	Dome bubble size: 85mm diam.
High speed shutter control (ESC)	For wall and ceiling surface mounting
Automatic white balance (AWB)	

## Specifications

System	day&night
Video standard	PAL
Sensor size	1/3"
Imager	CCD
Imager	Sony Super HAD II Interline Transfer
Active picture elements	440,000 (H) 752 x (V) 582
Horizontal resolution	600 TVL
Synchronization	internal
Signal-to-noise ratio	50dB (AGC OFF)
Sensitivity (at 50% video signal)	0,2 Lux
Sensitivity (at 50% video signal)	(colour) at F1.2 (measured)
Automatic gain control (AGC)	supplied
Automatic electronic shutter (ESC)	1/50 - 1/120,000sec.

# VKCD-1332SM/3.8

(Continuation Specifications)

Low speed shutter	no
Digital Noise Reduction (DNR)	no
Backlight compensation	BLC
Wide Dynamic Range (WDR)	no
Aperture Correction (APC)	horizontal and vertical
IR cut filter	OLPF (Overlay Low Pass Filter)
Activity detection	no
Automatic white balance (AWB)	Available
Digital zoom	no
Lens type	fixed focal length
Focal length	3,8 mm
Horizontal angle of view	65°
MOD (Minimum object distance)	0,1 m
Aperture range (F)	F2.0
Video outputs	composite (CVBS), 1Vp-p, (C)VBS, 75ohms, BNC
Rotation range	359°
Alarm inputs	-
Alarm outputs	-
PTZ support	no
Illumination	no
Serial interfaces	no
Housing material	plastic
Bubble	Polycarbonate plastic with black inner liner
Colour (bubble)	clear
Colour (housing)	Pantone Warm Gray 1C
Mounting	ceiling mount, wall mount
Supply voltage	12VDC, 12VDC (10 ~15VDC), 12VDC ±0.5V recommended
Power consumption	1.2W
Temperature range (operation)	-10°C ~+45°C
Protection rating	n/a
Vandalism resistant	no
Dimensions (HxWxD)	see drawing
Weight	210g
Parts supplied	Screw set, Drilling template, Manual
Certificates	CE
Iris control	no
Heater	no
Protection rating	at installation according to the manual
Camera adjustment	3-axis camera adjustment,
Housing	indoor

## VKCD-1332SM/3.8

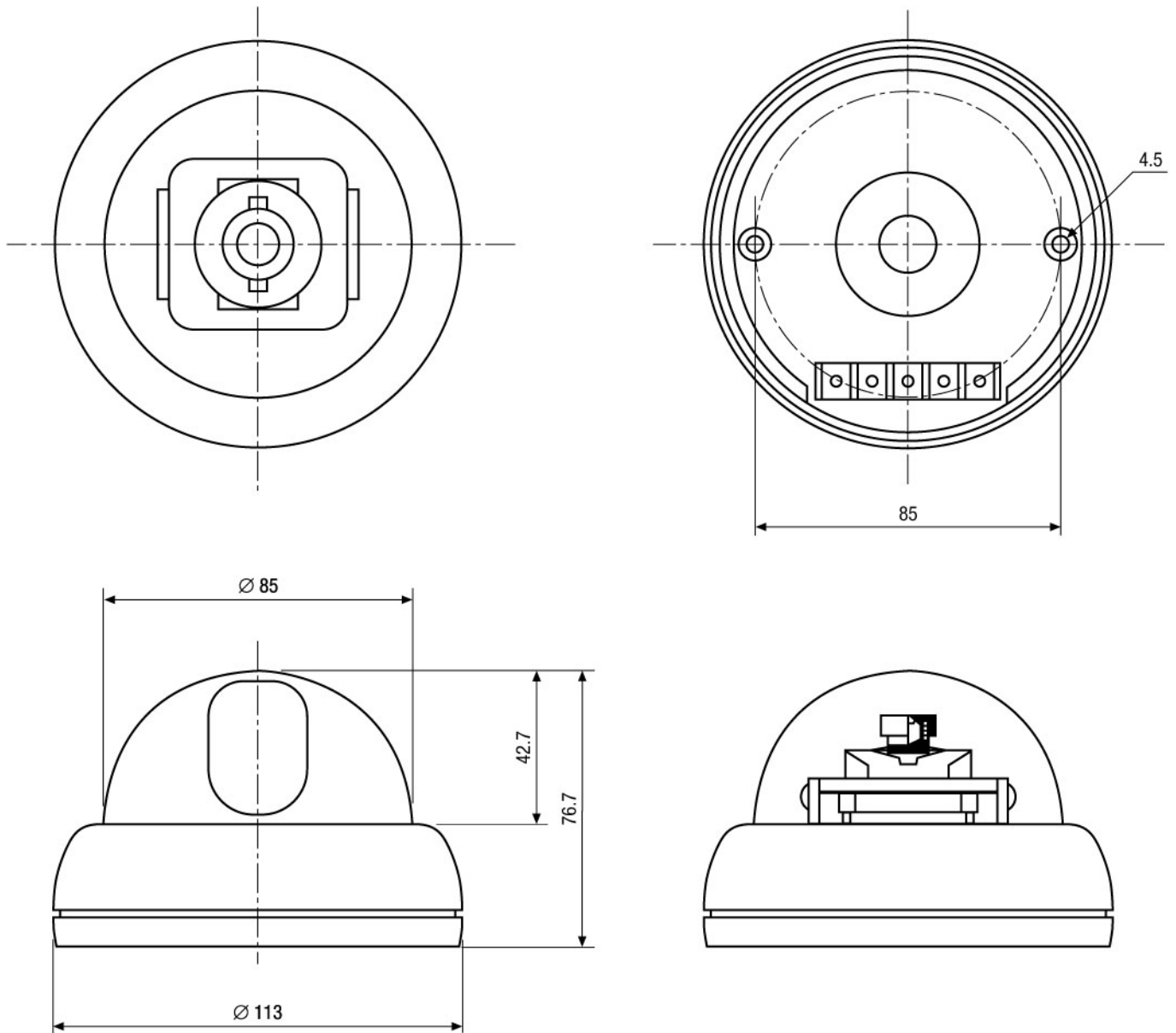
### Optional accessories

70535	VT-PS12DC-8	Plug-in Power Supply Unit 100-240VAC 12VDC (1.0Amp), Regulated, with DC Plug
70495	VT-PS12DC-7	Plugable PSU w. Cont. & UK Mains plug-in 100-240VAC/12VDC-1.25A, Regulated
77773	VT-PS12DCDT1	PSU 12VDC/1.0A, Regulated, Desktop Version, 1.8m Cables each w. open ends

# VKCD-1332SM/3.8

Home | Security | Dome Cameras | Fixed

## Technical drawing



Maße/Dimensions: mm

SLD Security & Communications  
The Old Forge, Ockham Lane, Ockham, Surrey GU236PH England  
Phone +44.1483225633 · Fax +44.1483225634  
sales@sld.co.uk · www.sld.co.uk

