

# YV5X2.7R4B-SA2L

Home | Security | Lenses | Varifocal

YV5X2.7R4B-SA2L  
F1.3/2.7-13.5mm DC Varifocal Lens, No Focus Shift,

1/3" CS Mount

Art-Nr. 45246



## Main Features

Suitable for 1/3" and 1/4" colour and b&w cameras  
No-focus-shift from visible to near IR light range  
Variable focal length  
Aspherical lens elements  
CS mount

High standard of optical and mechanical quality  
Without built-in auto iris amplifier  
With 4-pin connector  
Adjustable slip-ring mount for cable positioning

## Specifications

Lens type	varifocal
Application range	day/night
Day/Night	yes
Megapixel	no
Aspherical technology	yes
Nominal format size	1/3"
Flange focal length	12.5mm
Mount	CS
Focal length	2,7 mm - 13,5 mm
Horizontal angle of view	99,7° - 20,6°
MOD (Minimum object distance)	0,3 m
Aperture range (F)	F1.3~F360
Iris control	DC
Focus constant range	+0.035mm at f2.7mm; +0.015mm at f13.5mm (Focus deviation at switch-over to IR light at 850nm)

# YV5X2.7R4B-SA2L

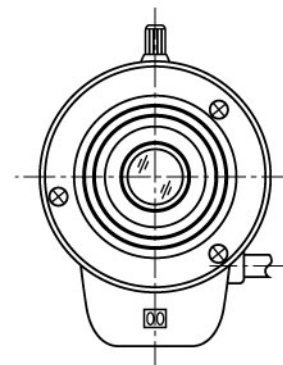
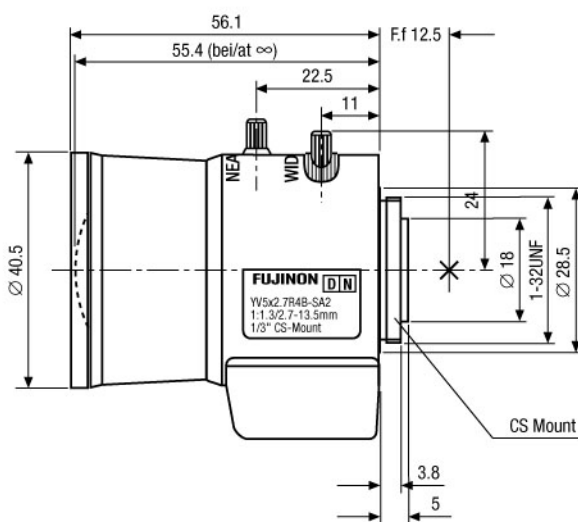
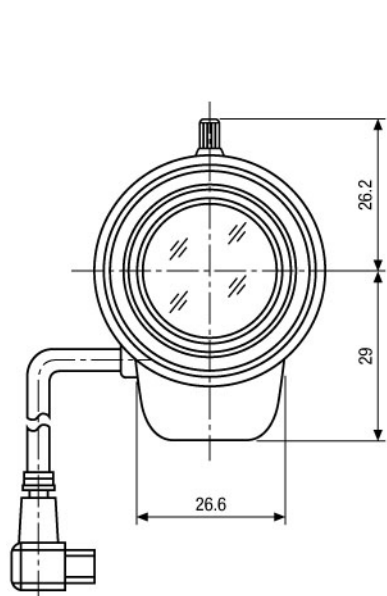
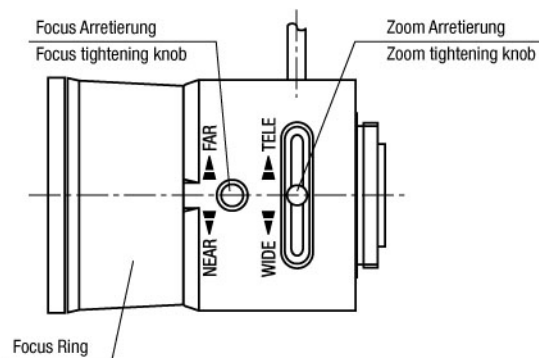
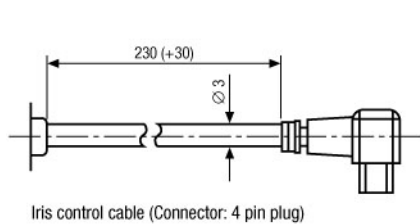
(Continuation Specifications)

<b>Screw-in depth</b>	5.0mm
<b>Filter screw size</b>	not available
<b>Cable length</b>	approx. 23cm
<b>4-pin plug</b>	Standard
<b>Temperature range (operation)</b>	-10°C ~+50°C
<b>Length</b>	56,1 mm
<b>Diameter</b>	40,5 mm
<b>Radius</b>	29 mm
<b>Weight</b>	approx. 70g

# YV5X2.7R4B-SA2L

Home | Security | Lenses | Varifocal

## Technical drawing



Maße/Dimensions: mm

SLD Security & Communications  
 The Old Forge, Ockham Lane, Ockham, Surrey GU236PH England  
 Phone +44.1483225633 · Fax +44.1483225634  
 sales@sld.co.uk · www.sld.co.uk

